

Alustain

EASYLOAD BIKE RACK SYSTEM[®]

We make
bike parking **easy & accessible**
in any space



SAFE & SECURE

Alustain bike racks are a safe and secure solution for indoor and outdoor spaces.



SOLID CONSTRUCTION

Australian designed and manufactured products. Our innovative bike rack solution is made with stainless steel components.



INNOVATIVE

At Alustain we are innovative and will provide the best solution for your business



FINISHES SCHEDULE

We use a Dulux[®] powder coat to match the finish schedule of your project

Dulux

Features and Benefits

Our product features the flexibility of choice when considering colour. You can select the powder coat finish to match your project, which includes all colours from the Dulux[®] warranty range. Stainless steel rails and fixings have been used for their superior quality and stylish look.

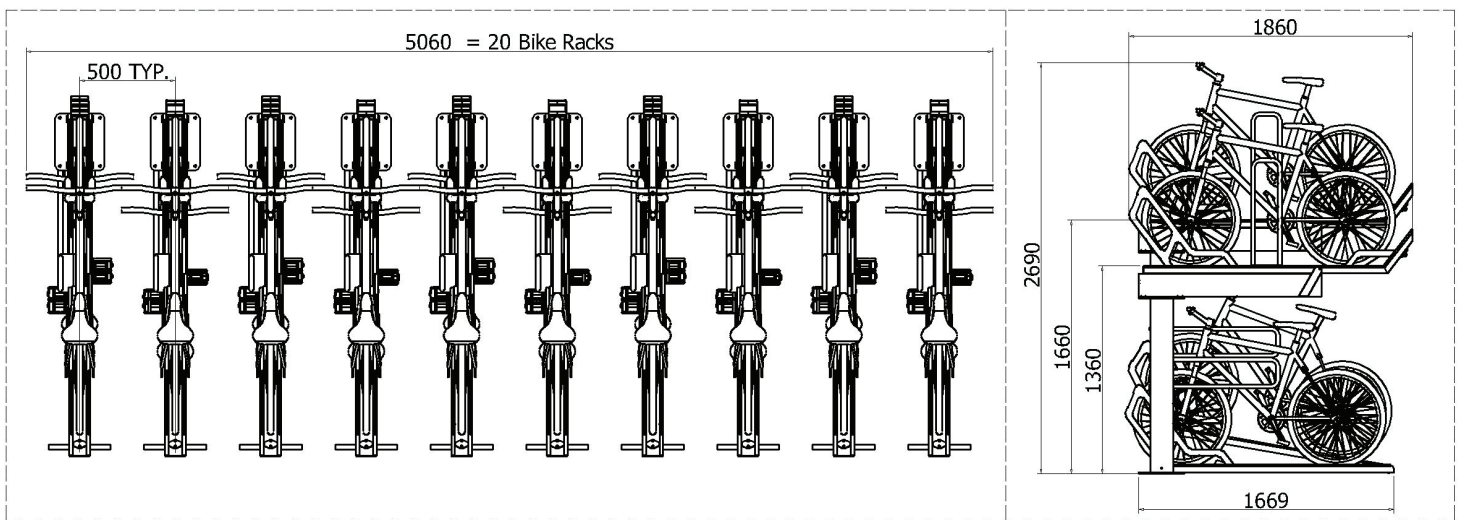
Our roller carriage mechanism is fabricated using 5mm thick stainless steel with roller bearings to ensure a smooth and sturdy operation. The upper cradle is lift assisted with incorporated gas struts.



TO VIEW HOW EASY THE
EASY LOAD BIKE RACK SYSTEM WORKS
CHECK OUT OUR VIDEO at
www.alustain.com.au

BIKE RACKS THAT ARE STYLISH, SECURE & SAFE. Australian designed and manufactured To match your project finish schedule.

Space efficient • Easy lock and access • Two bikes on one bike rack
Suits both road and mountain bikes • Stainless steel carriage mechanism
Dulux® powder coat



**FOR A QUOTE
CONTACT US
TODAY**



We use a Dulux®
powder coat to match the
finish schedule of your project