

NPS 75/45-155 4X4 NPS 75/45-155 4X4 CREW



WEIGHT RATINGS

GVM 7,500 kg / 4,500 kg
GCM 11,000 kg / 9,000 kg
TOWING CAPACITY (AT 4,500 KG GVM RATING) 4,500 kg*

ENGINE

POWER 114 kW @ 2,600 rpm
TORQUE 419 Nm @ 1,600 - 2,600 rpm

TRANSMISSION

5 speed manual transmission (MT)
 5 speed automated manual transmission (AMT)

* Refer to back page for detailed weight rating information

ISUZU CARE	
WARRANTY	3 Year Standard Warranty
	150,000 km / Unlimited Hours
ROADSIDE ASSIST	3 Year Roadside Support
	24/7 Unlimited km

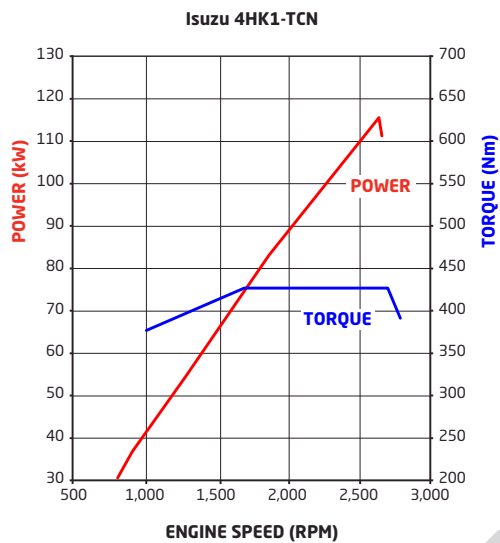
Subject to the conditions outlined in the IAL New Vehicle Warranty. For further information please visit isuzu.com.au or contact your local dealer.

SERVICE AGREEMENTS			
Optional Service Packages	ESSENTIALS	ESSENTIALS PLUS	TOTAL
SCHEDULED SERVICINGS	●	●	●
CONSUMABLES		●	●
ENGINE, TRANSMISSION & DRIVELINE			●
EXTRAS	After-hours Servicing, Glass, Fuel Card, Pickup - Dropoff		

INTELLIGENT SAFETY	
ACTIVE SAFETY ADVANCED DRIVER ASSISTANCE SYSTEMS (ADAS)	Anti Lock Braking System (active in high range) (ABS)
	Customisable Speed Limiter (CSL)
	Hill Start Aid (MT only) (HSA)
	Automatic Lighting System (Front and Rear) (ALS)
	Cab Tilt Warning (single cab only) (CTW)
PASSIVE SAFETY CABIN OCCUPANT SAFETY SYSTEMS (COSS)	Driver and front passenger airbags
	Driver and front left hand passenger seatbelt pretensioners
	ECE-R29 cab with side anti-intrusion beams
	Overhead shelf restraint netting
	Door mounted cornering lamps



ENGINE	
DESCRIPTION	Isuzu 4HK1-TCN
TYPE	4 cylinder 16 valve SOHC
DISPLACEMENT	5,193 cc
COMPRESSION RATIO	17.5:1
BORE X STROKE	115mm x 125mm
POWER	114kW (155PS) @ 2,600 RPM (DIN NET)
TORQUE	~419Nm @ 1,600 - 2,600 RPM (DIN NET) (torque limited to 377Nm when in low range first or reverse gear)
INDUCTION	Electronically controlled variable nozzle turbocharger with air-to air intercooler.
FUEL INJECTION	Direct injection high pressure common rail
EMISSION CONTROL	Cooled EGR with exhaust Diesel Oxidation Catalyst (DOC). ADR 80/03 (Euro V) compliant.



CLUTCH	
MT	Type: Single plate with auto adjusting hydraulic control and vacuum assistance Clutch Plate Diameter: 325 mm Clutch lining area: 966 cm ²
AMT	Type: Fully automated electro/hydraulically controlled wet clutch and fluid coupling with lock up

TRANSMISSION													
MT	Description: Isuzu MYY-5A Type: 5 speed manual. Syncromesh on gears 1-5. Ratios: <table border="1"> <thead> <tr> <th>1ST</th> <th>2ND</th> <th>3RD</th> <th>4TH</th> <th>5TH</th> <th>REV</th> </tr> </thead> <tbody> <tr> <td>5.315</td> <td>2.908</td> <td>1.558</td> <td>1.000</td> <td>0.721</td> <td>5.068</td> </tr> </tbody> </table> Power Take Off facility: Provision on LHS of transmission case. Drive from counter gear.	1ST	2ND	3RD	4TH	5TH	REV	5.315	2.908	1.558	1.000	0.721	5.068
1ST	2ND	3RD	4TH	5TH	REV								
5.315	2.908	1.558	1.000	0.721	5.068								
AMT	Description: Isuzu MYY-5A Type: 5 speed manual. Syncromesh on gears 1-5 Ratios: <table border="1"> <thead> <tr> <th>1ST</th> <th>2ND</th> <th>3RD</th> <th>4TH</th> <th>5TH</th> <th>REV</th> </tr> </thead> <tbody> <tr> <td>5.315</td> <td>2.908</td> <td>1.558</td> <td>1.000</td> <td>0.721</td> <td>5.068</td> </tr> </tbody> </table> Power Take Off facility: Provision on LHS of transmission case. Drive from counter gear.	1ST	2ND	3RD	4TH	5TH	REV	5.315	2.908	1.558	1.000	0.721	5.068
1ST	2ND	3RD	4TH	5TH	REV								
5.315	2.908	1.558	1.000	0.721	5.068								
TRANSFER GEARBOX	Type: Part time 4WD Ratio: High: 1.00, Low: 1.842												

AXLES	
FRONT	Description: Isuzu FD031 Type: Full floating Banjo with Birfield outer joints Hub locking: Manual Capacity: 3,100 kg
REAR	Description: Isuzu R066 Type: Full floating banjo with four pinion limited slip differential Capacity: 6,600 kg Ratio: 5.571

SUSPENSION	
FRONT	Single stage alloy steel multi leaf springs Double acting hydraulic shock absorbers. Stabiliser bar
REAR	Multi leaf main, multi leaf helper spring Double acting hydraulic shock absorbers

BRAKES	
TYPE	Drum brakes with dual circuit hydraulic control, hydraulic pressure assistance and load sensing proportioning valve
DIAMETER X WIDTH FRONT	320 x 100mm
DIAMETER X WIDTH REAR	320 x 100mm
PARK BRAKE	190mm diameter drum mounted on rear of transmission.
AUXILIARY BRAKE	Vacuum controlled exhaust brake

STEERING	
TYPE	Power assisted rack and pinion
TURNS LOCK TO LOCK	3.7
WHEEL LOCK ANGLE	38° (inside wheel) / 30° (outside wheel)

WHEELS & TYRES	
FRONT	Wheels: 17.5 x 6.00 six stud steel wheels Tyres: 225 / 80R17.5 123 / 122L Bridgestone L330 Tubeless Steer axle tyre rating: 3,100 kg
REAR	Wheels: 17.5 x 6.00 six stud steel wheels Tyres: 225 / 80R17.5 123 / 122L Bridgestone L330 Tubeless Drive axle tyre rating: 6,000 kg
SPARE	1 frame mounted spare wheel and tyre assembly

CHASSIS FRAME	
TYPE	Cold rivetted ladder frame. SAPH440 steel sidemembers. Parallel side rails and rivetless top flange.
DIMENSIONS	Side rail (mm): 216 x 70 x 6.0 Rear frame width (mm): 850

FUEL TANK	
TYPE	Frame mounted steel fuel tank
CAPACITY	140L
FUEL CAP	Lockable

ELECTRICAL SYSTEM	
TYPE	24 volt
ALTERNATOR	90 amp
STARTER MOTOR	4.0 kW
BATTERY	2 x 80D26L (630 CCA) batteries connected in series

CABIN GENERAL FEATURES	
ENGINE ACCESS	Single cab: manual cab tilt to 45° with torsion bar assistance Crew cab: access hatch under driver's seat and tiltable front passenger seat
STEPS	Heavy duty anti-slip steps
DOORS	90° opening internally reinforced front doors
MIRRORS	Heated and powered exterior main mirrors with flat glass and additional independantly adjustable convex "spot" mirrors
WIPERS	Two speed windscreen wipers with intermittent wipe mode
EXTERIOR LIGHTING	Multi-reflector halogen headlamps Roof mounted clearance lamps
AUDIBLE WARNING	Reverse alarm
GRILLE	Body coloured
SECURITY	Central locking with remote keyless entry and immobiliser

INSTRUMENTATION	
MULTI INFORMATION DISPLAY	Single cab: CTW indicator
	Low engine oil level alert (activated when oil pan < 66% capacity)
	Vehicle systems status
	Low fuel level alert
	Fuel consumption information
	Service interval alerts
GENERAL INSTRUMENTATION	Hourmeter
	Adjustable vehicle speed warning
	Speedometer and tachometer.
	Digital odometer with integrated dual tripmeters
	Engine coolant temperature and fuel level gauges

CABIN INTERIOR	
SEATING	Single cab: driver's bucket seat equipped with mechanical suspension and weight adjustment to 130kg Crew cab: driver's bucket seat
	Front passenger bench seat with 2 seat capacity
	Crew cab: rear bench seat with 4 seat capacity
	Crew cab: rear bench seat with 3 seat capacity
SEATBELTS	3-point lap sash seatbelts in all outboard seating positions. Centre seat lap belts.
STEERING COLUMN	Tilt/telescopic adjustable
ENTRY ASSIST GRIPS	Door and roof pillar mounted
	Crew cab: full width rear grab rail
DOOR WINDOWS	Electric control
STORAGE	Overhead shelf
	Twin cup holders
	Front centre console box and storage tray.
	Front door pockets
POWER OUTLET	24V cigarette lighter
AIRCONDITIONING	Manual control
INTERIOR LIGHTING	Single cab: Fluorescent lamp Crew cab: Standard lamp

AUDIO VISUAL UNIT	
SCREEN TYPE	6.2" LCD with capacitive touch
OPERATING SYSTEM	Android
RADIO	AM/FM/DAB+. Internet radio via smartphone
INTERNAL STORAGE CAPACITY	32GB
OTHER CAPABILITY	Provision for external camera inputs, navigation, reverse sensors and tyre pressure monitoring

DRIVER CONTROLS	
SAFETY SYSTEMS	Headlamps and ALS on/off, HSA on/off/sensitivity adjust (MT only)
ENGINE	Idle speed control
	Cruise control
TRANSMISSION (AMT ONLY)	Slow/fast gear engagement control, 1st gear start and normal/economy gear selection modes.
	Gear selection control with R-N-D and sequential shift positions
GENERAL CONTROLS	Windscreen wipers (2 speed and intermittent modes), washers, exhaust brake, turn signals, high/low range and 4WD engage switches



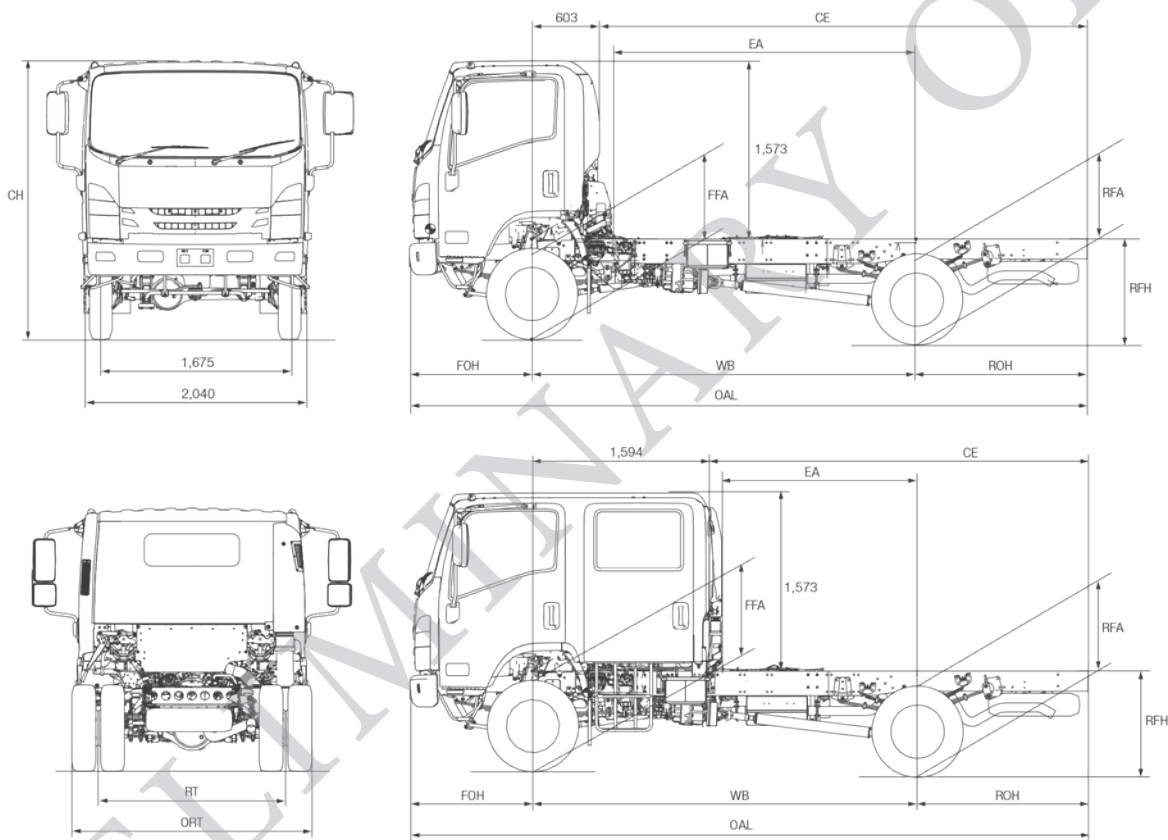
AMT model shown

NPS 75/45-155 4X4 NPS 75/45-155 4X4 CREW

WEIGHTS (kg)							
MODELS	RATINGS*		LOADING LIMIT* (at ground)		CAB CHASSIS WEIGHT #		
	GVM	GCM	FRONT	REAR	FRONT	REAR	TOTAL
NPS 75/45-155 4X4	7,500/4,500	11,000/9,000**	3,100	6,000	1,960	970	2,930
NPS 75/45-155 AMT 4X4	7,500/4,500	11,000/9,000**	3,100	6,000	1,980	970	2,950
NPS 75/45-155 4X4 CREW	7,500/4,500	11,000/9,000**	3,100	6,000	2,100	1,070	3,170
NPS 75/45-155 AMT 4X4 CREW	7,500/4,500	11,000/9,000**	3,100	6,000	2,120	1,070	3,190

* Vehicle ratings and axle weight limits are subject to government regulatory requirements and weight distribution analysis. Consult your Isuzu dealer to select the correct vehicle for your specific application. **4,000kg maximum towing limit applies to 4,500kg GVM rated vehicle. Tag trailer weight should not exceed towing vehicle weight. Limit is subject to government regulatory requirements. # Cab chassis only as supplied and including 10 litres of fuel.

DIMENSIONS (mm)													(m)
MODELS	WB	OAL	FOH	ROH	EA	CE	RT	ORT	CH	FFA (unladen)	RFA (unladen)	RFH (unladen)	TURNING CIRCLE kerb to kerb
NPS 75/45-155 4X4	3,395	5,985	1,080	1,510	2,710	4,332	1,650	2,120	2,490	850	940	975	13.6
NPS 75/45-155 4X4 CREW	3,395	5,985	1,080	1,510	1,730	3,331	1,650	2,120	2,490	850	950	980	13.6



PERFORMANCE (calculated - typical paved road)				
		GEARED SPEED* (top gear at peak power engine rpm)	LOW SPEED GRADEABILITY (lowest forward gear assuming no wheel slip)	ENGINE SPEED (top gear at 100 km/h)
NPS 45-155 4X4	At 4,500kg GVM	95 km/h @ 2,600 RPM	> 100%	2,725 rpm
NPS 75-155 4X4	At 7,500kg GVM	95 km/h @ 2,600 RPM	62%	2,725 rpm

* Maximum speed achievable depends on vehicle frontal area as well as other factors. Consult your Isuzu dealer for more detailed information.

ORDER CODES	
MODELS	CODES
NPS 75/45-155 4X4	NH-NPSAB-B21
NPS 75/45-155 AMT 4X4	NH-NPSAB-D21
NPS 75/45-155 4X4 CREW	NH-NPSDB-B21
NPS 75/45-155 AMT 4X4 CREW	NH-NPSDB-D21

Subject to the conditions outlined in the IAL New Vehicle Warranty, 4x4 and AWD Isuzu N series models carry a standard factory warranty which covers the owner for the first 36 months or 150,000 kilometres (whichever comes first). All Isuzu warranties are subject to mandatory prescribed terms under Australian Consumer Law including consumer guarantees. For more details visit the Isuzu website www.isuzu.com.au which explains Isuzu warranties in more detail, or alternatively contact your local Isuzu Truck dealer. All warranties commence from date of initial delivery.

ISUZU AUSTRALIA LIMITED ABN 97 006 962 572 ("IAL"). The information in this spec sheet was correct at time of printing, but all measurements, specifications and equipment are subject to change without notice. Some equipment may have been changed and/or is available at extra cost. IAL may make changes at any time without notice, in prices, colours, materials, equipment and models. IAL makes all reasonable attempts to ensure the availability of all vehicles and equipment. The information in this spec sheet is general in nature. Your Isuzu dealer can confirm all measurements, specifications and vehicle / equipment availability upon request. To the extent permitted by the law, IAL is not liable to any person as result of reliance on the content of this spec sheet.